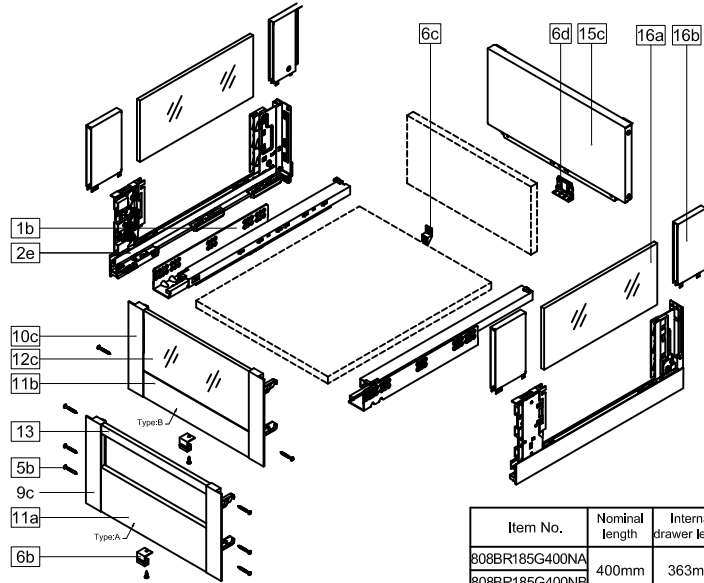


## Montaje / Assembly / Montaggio / Montage/ Montagem

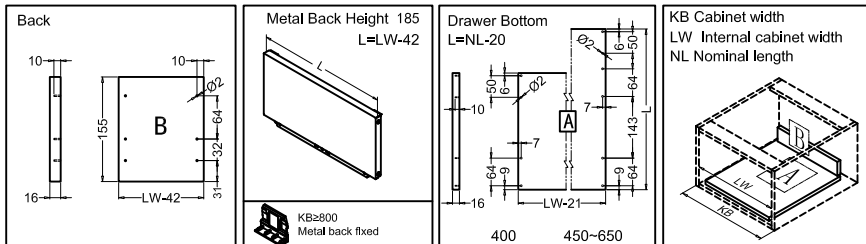
### Componentes / Components / componenti / Composants / Componentes



1b. Cabinet profiles L/R	11a. 808-1 Front Section
2e. 185 Drawer Sides L/R	11b. 808-2 Front Section
5b. Front section Screw (Ø4x30)	12c. 808-185 Glass Front
6b. Bottom fixing (for wide drawer)	13. Cross square rail
6c. Back fixing (for wide drawer)	15c. Metal back height 185
6d. Metal back fixing (for wide drawer)	16a. 185 Glass side wall
9c. 185-1 Front Fixing brackets L/R	16b. Glass fasteners L/R
10c. 185-2 Front Fixing brackets L/R	

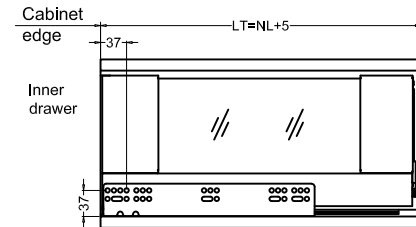
Item No.	Nominal length	Internal drawer length	Min. installation length of drawer
808BR185G400NA 808BR185G400NE	400mm	363mm	405mm
808BR185G450NA 808BR185G450NE	450mm	413mm	455mm
808BR185G500NA 808BR185G500NE	500mm	463mm	505mm
808BR185G550NA 808BR185G550NE	550mm	513mm	555mm
808BR185G600NA 808BR185G600NE	600mm	563mm	605mm
808BR185G650NA 808BR185G650NE	650mm	613mm	655mm

### Dimensiones del fondo y la parte trasera del cajón Drawer back and bottom dimensions

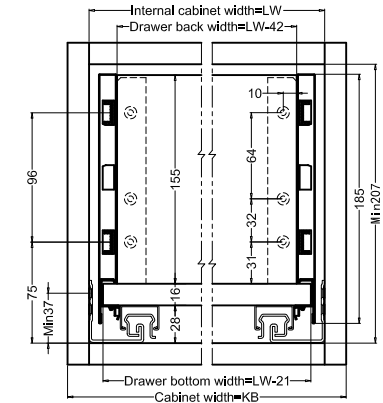


### Dimensiones de instalación (mm) Installation dimensions (mm)

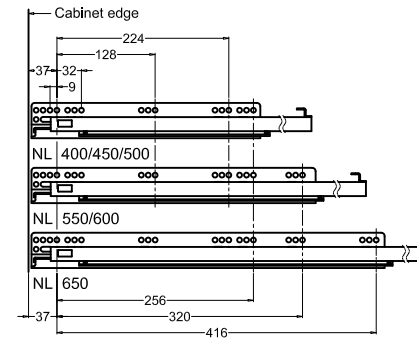
Nominal slide length=NL Internal cabinet depth=LT



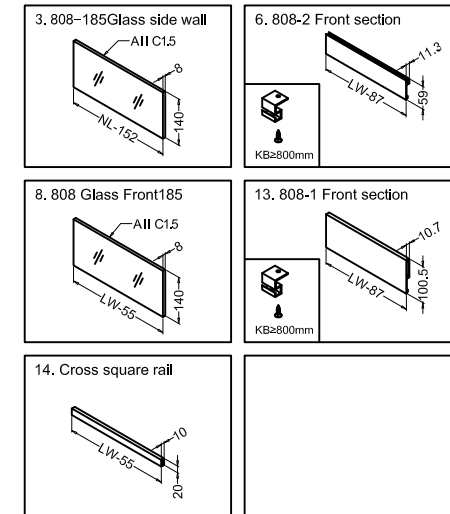
### Dimensiones de instalación del cajón. (mm) Drawer installation dimensions. (mm)



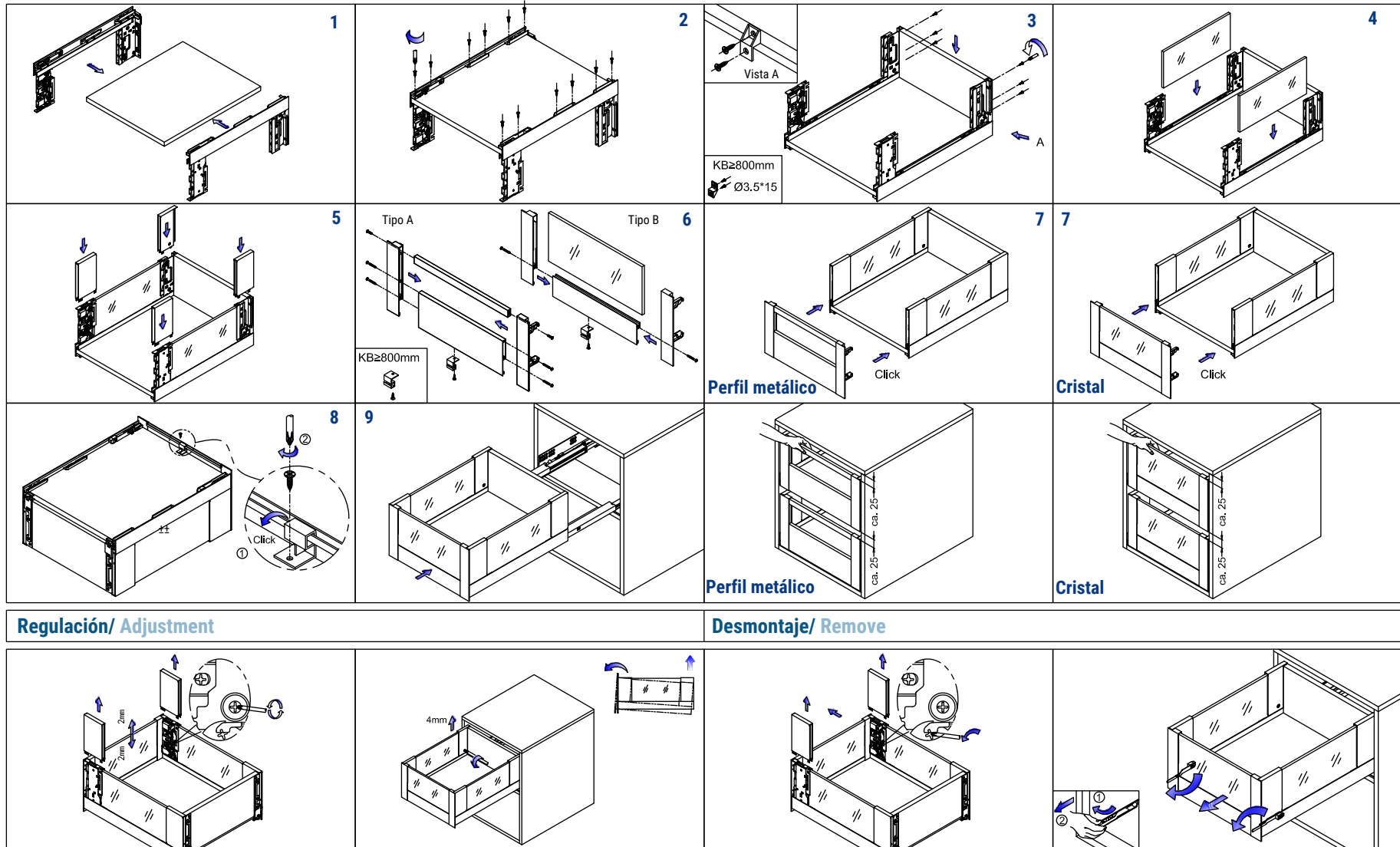
### Posiciones de los tornillos Screw positions of the sides.



### Corte (mm) Cutting (mm)



**Montaje / Assembly / Montaggio / Montage/ Montagem**



**Regulación/ Adjustment**

**Desmontaje/ Remove**

Ajuster vertical  $\pm 2\text{mm}$ . / Up&down adjustmen  $\pm 2\text{mm}$ .

Ajuste del angulo frontal/ Front slope angle adjustment

Desmontar el frente del cajón/ Removal drawer front

Desmontar el cajón de la guía/ Remove guide drawer